

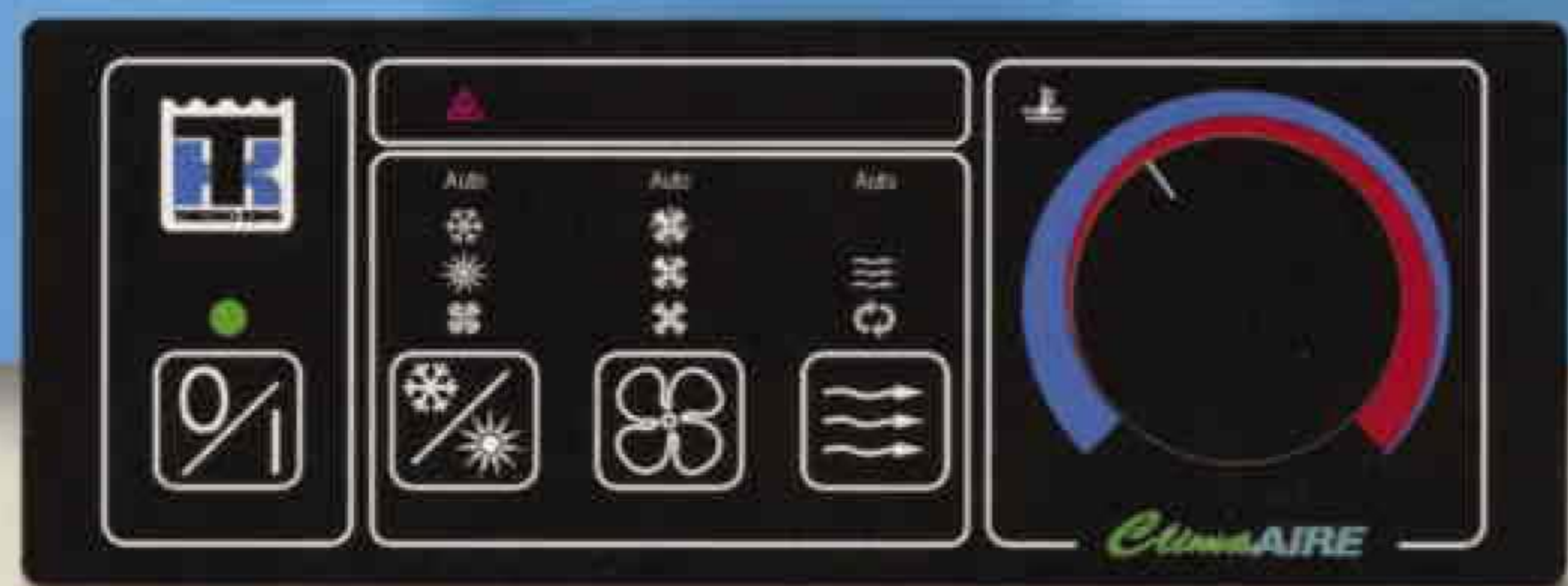
 **THERMO KING**

**ShuttleAire SR-50S**

Introducing a new concept  
in Bus Air Conditioning.



 **THERMO KING**  
**ClimaAIRE™**  
TOTAL CLIMATE CONTROL



**Designed for Small and Mid-size Buses**

- One piece rooftop
- Lightweight
- High-capacity (heating and cooling)
- Low power consumption
- HFC R-134a refrigerant



An  **Ingersoll Rand** business



## ShuttleAire SR-50S Specifications

### DESCRIPTION

The ShuttleAire SR-50S is a lightweight high-capacity rooftop system designed for small to mid-size buses.

### SYSTEM COOLING CAPACITY

ASHRAE: 50,000 BTU/hr/14.5 kW  
@ 35/27/19°C 3500 Compressor RPM  
IMACA: 110,000 BTU/hr

IMACA standards use compressor and/or condenser capacities to calculate system cooling capacity.

### SYSTEM HEATING CAPACITY

• 50,000 BTU/hr/14.5 kW

### AIRFLOW

• 1600 CFM/2720 m<sup>3</sup>h<sup>-1</sup>

### REFRIGERANT

• HFC R-134a

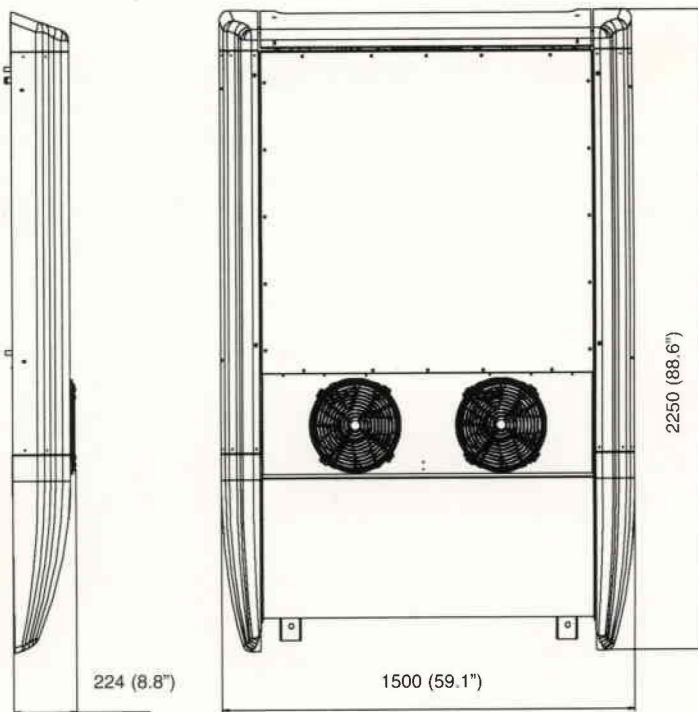
### COMPRESSORS

• TM-31 (or TM-16)

### ELECTRIC POWER REQUIREMENTS

• 46 amps at 24V  
• 93 amps at 12V

### DIMENSIONS millimeters (inches)



### Worldwide Service Organization

Thermo King backs its equipment and customers with a highly-trained, worldwide service organization. This assures you the support of factory authorized service facilities and a stock of factory parts and factory trained mechanics.

### Warranty Summary

Terms of the Thermo King Limited Express Warranty are available upon request.

Basic unit is warranted to be free from defects in material and workmanship for a period of one year from date in service. Warranty covers parts and labor only.

Manufacturer is not responsible and will not be held liable in contract or tort (including negligence) for any special, indirect or consequential damages including, but not limited to, injury or damage caused to vehicles, contents or persons, by reason of the installation or use of any Thermo King product or its mechanical failure.

### WEIGHT (approximate)

|                  |         |             |
|------------------|---------|-------------|
| SR-50S Unit      | 95 kg   | (211 lbs.)  |
| TM-31 Compressor | 16.7 kg | (37 lbs.)   |
| TM-16 Compressor | 7.1 kg  | (15.6 lbs.) |

**Thermo King**  
**World Headquarters**  
Minneapolis, MN U.S.A.  
Tele: +1 952 887 2200  
Fax: +1 952 887 2529

**Thermo King**  
**Asia Pacific**  
Hong Kong, PRC  
Tele: +852 2507 9100  
Fax: +852 2827 5159

**Thermo King**  
**do Brasil**  
Londrina, Brasil  
Tele: +55 43 3372 5878  
Fax: +55 43 3372 5900

**Thermo King**  
**Europe**  
Brussels, Belgium  
Tele: +32 2 7145711  
Fax: +32 2 7145712

**Thermo King**  
**Europe**  
Kolin, Czech Republic  
Tele: +420 321 757111  
Fax: +420 321 757170



### Thermo King Corporation

Ingersoll-Rand Company  
314 West 90th Street  
Minneapolis, MN 55420-3693  
www.thermoking.com

TK 51107-3-PL (Rev. 2, 8-03)

©2003 Ingersoll-Rand Company  
Printed in U.S.A. on Recycled Paper

Specifications are subject to change without notice.

An **IR** Ingersoll-Rand business